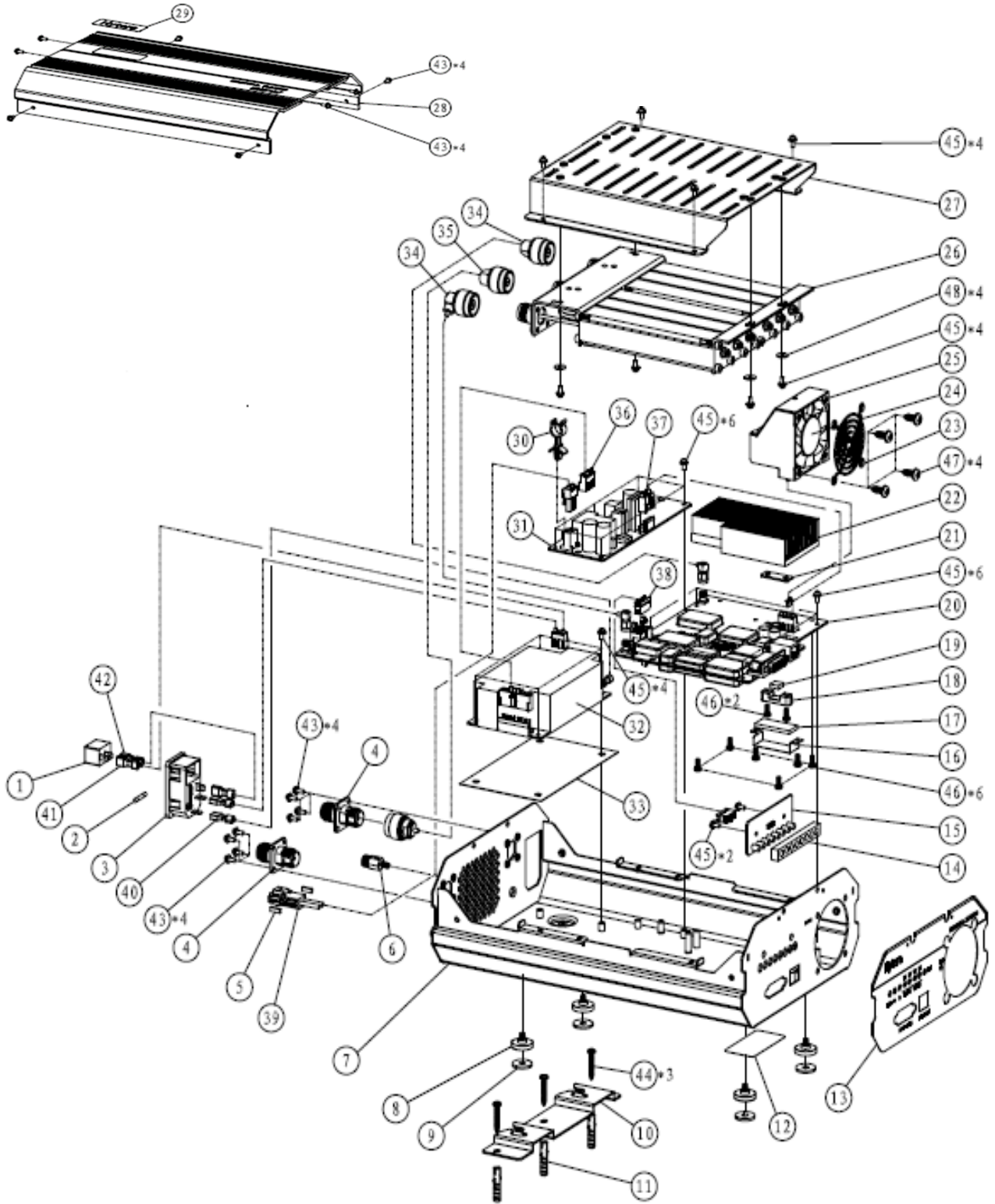
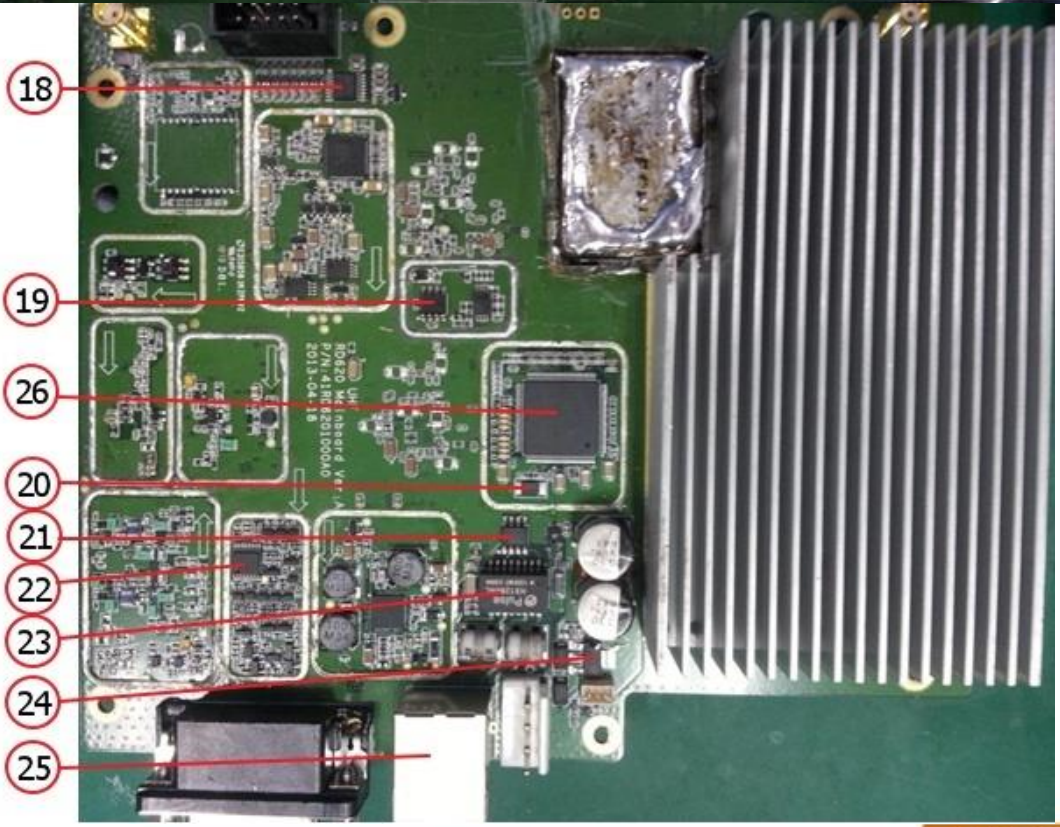
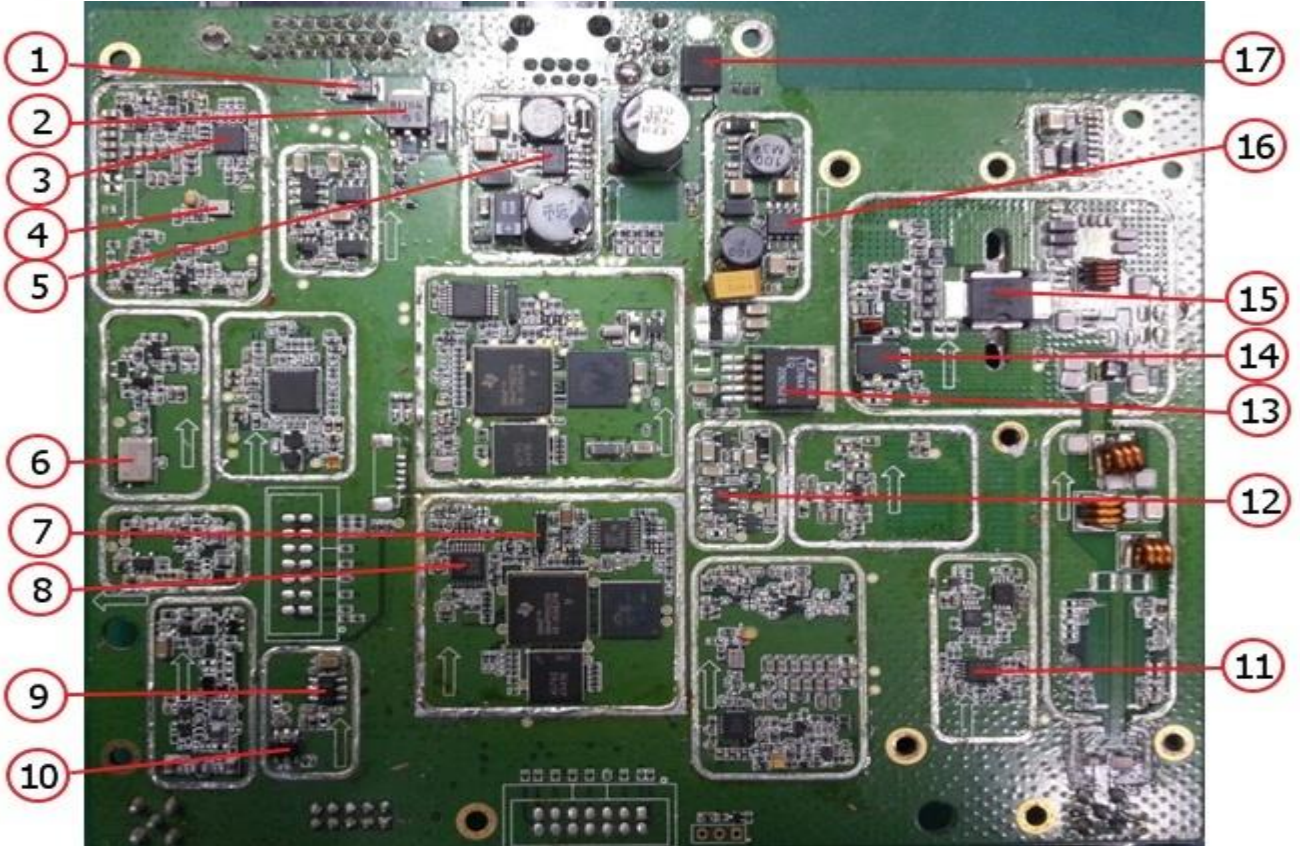


Explosión RD626.





Serials No.	Modelo	Número de parte.	Description
1	RD626	4399010000000	Power switch BR-12C-11L 250VAC 5A CSA DIP Pronic (RoHS)
2	RD626	4099000000150	Fuse 02173.15MXP 250V 3.15AA Tube 5*20mm LITTELFUSE (RoHS)
3	RD626	5205003100210	Cocket JR-101-1FRS(1.5) 3pin -25~85°C L47.0mm*W28.0mm Ac socket (RoHS) (REACH)
4	RD626	4408100002000	RF connector (adapter) 50Ω N/F to N/F N to N adapter female TR-800 (RoHS)
6	RD626	7104008000600	RD620 Earthing terminal (RoHS)(REACH)
7	RD626	6203264000000	RD620 bottom case AL5052 t=1.5mm 00 (RoHS)(REACH)
8	RD626	7104005000010	RD620 The hanging wall of the screw M4*5mm SUS304 1/4H 01 (RoHS)(REACH)
9	RD626	6100994000000	RD620 MATS t2mm φ18mm 60±5°black 00 (RoHS) (REACH)
10	RD626	6203271000000	RD620 Hang on the wall of the mounting bracket
11	RD626	7500761000000	Expansion rubber plug
12	RD626	86RD960100010	Blank label for RD960 repeater/battery 60*31mm 01 (RoHS)
13	RD626	86RD620700000	RD62X front panel PC label(Hytera LOGO) 0.5x208x88.9 mm 00 (RoHS)
14	RD626	7500662000000	RD620 front-panel LED mat EVA 30±5*t7.0mm 76mm*10mm (RoHS)(REACH)
15	RD626	1302RD6200040	RD620 LED Semi-finished products (RoHS)
16	RD626	6203270000000	RD620 PA Conductive sponge clamp t0.5mm SUS304 00 (RoHS)(REACH)
17	RD626	7500549000000	Conductive sponge for RD960 PA shielding mask t=3mm 36*15mm single-sided adhesive tape 00
18	RD626	6300189000000	RD960 PA briquetting ADC12 00 (RoHS)(REACH)
19	RD626	7500661000000	RD620 Rubber cushion of PA 60±5°9mm*9mm*t3.0mm with adhesive single side 00 (RoHS)(REACH)
20	RD626	150RD62000000	RD620 LED semi-finished(after solder)(RoHS)
A	RD626	1202RD6200120	RD620 U(1)(400-470MHz) mainboard semi-finished(after solder) AMBE++ (RoHS)
B	RD626	1302RD6200100	RD620 U(1)(400-470MHz) mainboard semi-finished(after solder) SELP (RoHS)
C	RD626	1302RD6200130	RD620 U(2)(450-520MHz) mainboard semi-finished(after solder) AMBE++ (RoHS)
D	RD626	1302RD6200140	RD620 U(2)(450-520MHz) mainboard semi-finished(after solder) SELP (RoHS)
E	RD626	1302RD6200110	RD620 VHF (136-174MHz) mainboard semi-finished(after solder) AMBE++ (RoHS)
F	RD626	1302RD6200120	RD620 VHF (136-174MHz) mainboard semi-finished(after solder) SELP (RoHS)
21	RD626	6203269000000	RD620 PA Heat sinks t1.2mm 00 (RoHS)(REACH)
22	RD626	6203266000000	RD620 PA Heat sinks AL6063 00 (RoHS)(REACH)
23	RD626	7000393000000	Protecting can for fan 60*60 00 (RoHS)
24	RD626	5401000000200	FAN 2406KL-04W-B49 12V 0.17A 4600RPM 60*60*15mm
25	RD626	6203267000000	RD620 Ventilation hood AL5052 t1.0mm 00 (RoHS) (REACH)
26	RD626	3804384770009	Duplexer SQG-450
27	RD626	6203268000000	RD620 Diplexer fixed bracket SPCC t1.5mm 00 (RoHS)(REACH)
28	RD626	6203265000000	RD620 The lid of the above AL6063 00 (RoHS)(REACH)
29	RD626	86RD960600000	Hytera logo label for RD960 repeater PC 60.4*20.9mm 00 (RoHS)
30	RD626	7500660000000	Wire mount P/N:SLC-21 PCB holeφ4.8mm PCB thickness0.8~2.0mm Highness 35.8mm wire hole φ8.6mm
31	RD626	1615000000290	RD620 Charging panel (RoHS)
32	RD626	1615000000280	MEAN WELL AC-DC PPS-200-15(HYT) RD620 DCDC 220V/1.2A IN 13.5V/13A OUT (RoHS)
33	RD626	7400556000000	The insulating sheet at the bottom of the switch power of RD620 PC t0.5mm black 136mm*85mm adhesive
34	RD626	4220190000400	RF cable of RD620 90°SMA/M to 90°N/M 50Ω 0~4GMHz .085 light blue -40~105°C 163mm Amphenol
36	RD626	4200210000000	Power cord of RD620 16AWG 4cores black+red 10A UL1015 120mm/140mm from switch power to charger
37	RD626	4200210000100	Power cord of RD620 16AWG 4cores black+red 10A UL1015 197mm from charger PCB to main PCB 00
38	RD626	4210160000300	signal cable 28#AWG 10pin PH=2.54 grey - L=160mm 4401-10SR(Neltron) 00 (RoHS)
39	RD626	4200180001400	The power cord 14AWG 10A UL1015 180mm RD620 DC 00 (RoHS) (REACH)
40	RD626	4200090000200	Power cord of RD620 18AWG 1core yellow/green 3A UL1015 90mm grounding wire of AC connector 00
41	RD626	4200090000400	Power cord of RD620 18AWG 1core brown 3A UL1015 80mm jumper wire of AC connector 00
42	RD626	4200090000300	Power cord of RD620 18AWG 2cores brown+blue 3A UL1015 80mm from AC connector to switch power 00
43	RD626	7103008001000	Machine screw M3.0*8.0mm T10 00 (RoHS)
45	RD626	7103007000000	Machine screw M3.0*7.0mm cross recessed 00(RoHS)
46	RD626	7103008000400	Machine screw M3.0*8.0mm, T10 torx recessed, half-round head, with rebound pad, stainless steel 00(RoHS)
47	RD626	7105012020000	Self-tapping screw ST5.0*12 cross recessed semi-circle head stainless steel passivated 00(RoHS)



Mainboard			
No.	Modelo	Número de parte	Descripción
1	RD626	400200000340	Reparable FUSE 1812L150/24 24V 1.5A 1812 LITTELFUSE (RoHS)
2	RD626	3403002000010	PNP transistor 2SB1184 -50V -3A 80~390 .55~+150°C SC-63 ROHM (RoHS)
3	RD626	3604019000000	【MSL3】 Synthesizer IC SKY72310-362LF 2.1 GHz 3V -40~+85°C QFN-24 SKYWORKS (RoHS)
4	RD626	3804019250000	Voltage controlled crystal oscillator DSA321SDA(VC-TCXO)
5	RD626	3608010000350	[MSD3] Power management IC TPS5430DDA BUCK DC-DC 5.5V-36V 1.22-30V 3A -40~+125°C SO-8 TI
6	RD626	3802733540030	Crystal filter D73312GQ22 73.35MHz ±6kHz 5.0dB -30~70°C 7.0*5.0mm IM3 technics amelioration KDS (RoHS)
7	RD626	3701327610060	Crystal SSP-T7F 32.768KHz ±20ppm 12.5pF -40°C~+85°C SMD SEIKO (RoHS)
8	RD626	3606010000010	D/A IC TLV5614IPWRG4 12-BIT 20MHZ 2.7~5.5V -40~ 85°C TSSOP-16 TI (RoHS)
9	RD626	3608015000060	Power management IC XC6209F502PR LDO 5V 300mA -40~+85°C SOT-89-5 TOREX (RoHS)
10	RD626	3608015000210	Power Management IC XC6209F332PR LDO 12V 3.3V 300mA -40°C~85°C SOT89-5 TOREX
11	RD626	3605008005070	Operational amplifier NJM2904V 3~32V 300mW 100dB 2运放 -40~+85°C SSOP8 JRC (RoHS)
12	RD626	3608015000060	Power management IC XC6209F502PR LDO 5V 300mA -40~+85°C SOT-89-5 TOREX (RoHS)
13	RD626	3608011000090	【HMF】 Power management IC LT1764AEQ#(TR)PBF ADJ LINEAR (0794.6310.00)(RoHS)
14	RD626	3504990000050	PA MOSFET RD02MUS1B-T112 1.5A 30V 1.5A 1.8V 3W 150°C 6.0*4.9*0.9 三菱 (RoHS)
15	RD626	3601017000000	【moistureproof】 RF PA module PD85035STR1-E 35W 870M 14.9db 13.6V 165°C PowerSO-10RF ST (RoHS)
16	RD626	3608010000500	Power management IC TPS54340DDAR DC-DC 4.5V~42V 0.8V~41V 3.5A -40~150°C HSOIC-8 TI (RoHS) (REACH)
17	RD626	3399100000010	TVS diode 3.0SMCJ20A 20V 84.5A 175°C SMC DIODES (RoHS) (REACH)
18	RD626	3607023000150	Logic IC 74AHCT594PW serial-to-parallel converter 2~5.5V -40~125°C TSSOP16 NXP (RoHS)
19	RD626	3609010000210	Reset IC TPS3705-33DR 3.3V 2.93V -40~85°C SOIC8 Watchdog TI (RoHS)
20	RD626	3701002560000	Crystal DSX321G-25.000 25MHz ±10ppm 8PF -40~+85°C 3.2*2.5mm SMD KDS (RoHS)
21	RD626	3310350000020	TVS Diode Array SLVU2.8-4.TBT 2.8V 24A/8/20us -55~+125°C SO-8 SEMTECH (RoHS)
22	RD626	3607023000150	Logic IC 74AHCT594PW serial-to-parallel converter 2~5.5V -40~125°C TSSOP16 NXP (RoHS)
23	RD626	5406000000120	Transformer HX1260 POE Standard 1:1 SOIC-16 pulse (RoHS)
24	RD626	3413999000000	NPN transistor FZT651 60V 3A 100 -55~+155°C SOT223 ZETEX (RoHS) (REACH)
25	RD626	5205008200130	RJ45 AJ-068SH-8-F-R1-B4-N4-GG 8Pin 12.8X15.8X15.1mm ALLSUN (RoHS)
26	RD626	3609999007670	Port Managed Ethernet Switch LAN9311i-NZW 3.3V -40~85°C XV7QFP-128 SMSC (RoHS)

Números de parte sujetos a cambio sin previo aviso