



IPC3612SR3 Series 2MP Network IR Fixed Dome Camera



Features:

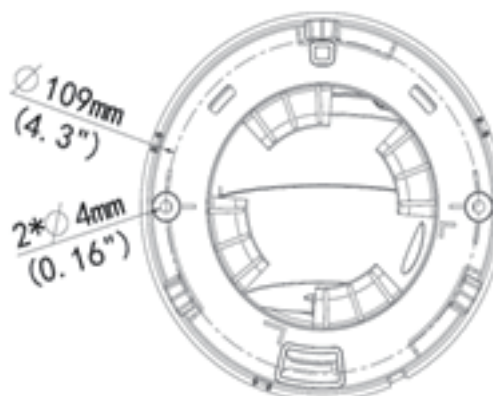
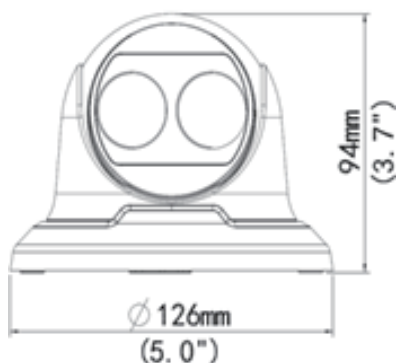
- 1/3" progressive scan CMOS
- Up to 1920×1080 resolution, 30fps
- 2.8mm/3.6mm/6mm optional
- Smart IR, up to 30m IR distance
- 3D DNR, corridor mode, ONVIF
- DC 12V, PoE, wide voltage range of $\pm 25\%$
- IP66

IPC3612SR3 Series

2MP Network IR Fixed Dome Camera

Camera	IPC3612SR3-PF28	IPC3612SR3-PF36	IPC3612SR3-PF60
Sensor	1/2.8", 2 megapixel, progressive scan, CMOS		
Lens	2.8mm@F1.8 Angle of view(H): 99.1°	3.6mm@F1.8 Angle of view(H): 76.7°	6mm@F1.8 Angle of view(H): 46.9°
Shutter	Auto/Manual, 1/6~1/8000 s		
Day/Night	IR-cut filter with auto switch (ICR)		
IR	30m (98 ft) IR range		
AWB(Auto white balance)	Auto/manual		
Gain Control	Auto/manual		
WDR	Digital		
Noise Reduction	2D/3D		
Video			
Max. Resolution	1920×1080		
Video Compression	H.264/MJPEG		
Frame Rate	1080P (1920×1080): max. 30 fps; 720P (1280×720): max. 30 fps; D1 (720×576): max. 25 fps		
Video Streaming	Triple		
9:16 Corridor Mode	Supported		
Motion Detection	Up to 2 areas		
Network			
Protocols	IPv4,IGMP,ICMP,ARP,TCP,UDP,DHCP,RTP,RTSP,Qos,DNS,DDNS,NTP,FTP,UPnP,HTTP		
Compatible Integration	ONVIF		
Interface			
Network	10M/100M Base-TX Ethernet		
General			
Power	12 V DC, or PoE (IEEE802.3 af), 3.5 W (5.5W with IR on)		
Dimensions (Ø x H)	Φ126 x 94 mm (Ø5.0" x 3.7")		
Weight	0.33 kg (0.73 lb)		
Working Environment	-35°C ~ +60°C (-31°F ~ 140°F), humidity ≤ 90% RH (non-condensing)		
Ingress Protection	IP66		

*Product specifications and availability are subject to change without notice.



Zhejiang Uniview Technologies Co., Ltd.
Address: Building No.10, Wanlun Science Park, Jiangling Road 88, Hangzhou, P. R. China, 310051
Website: www.uniview.com Email: overseasbusiness@uniview.com

©2016 Zhejiang Uniview Technologies Co., Ltd. all rights reserved.
2016.01-OM-160126-OWN V1.0

